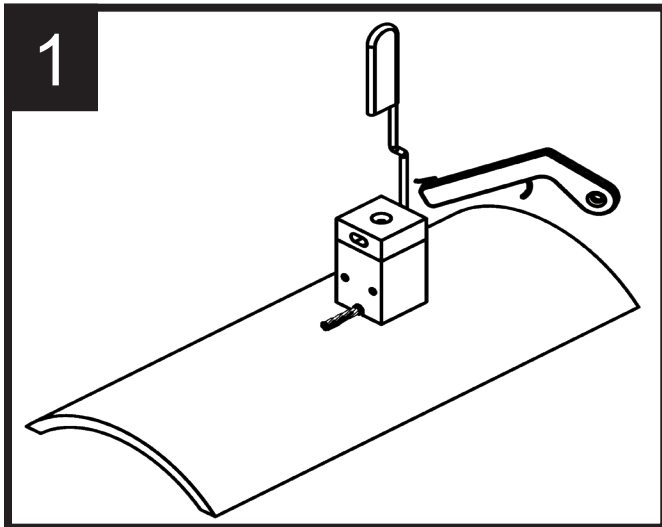




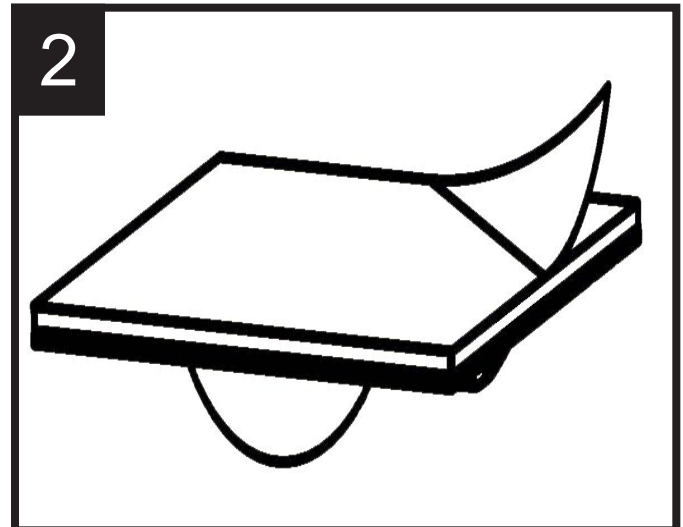
# thermOcap



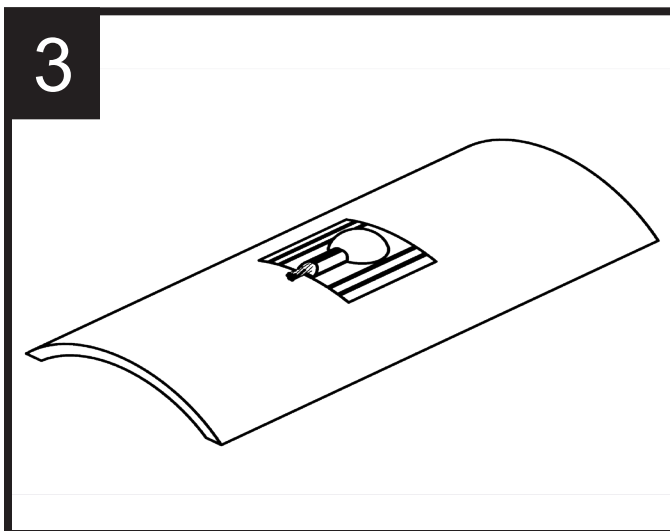
Applying a thermOcap is an easy 3 step process that protects against corrosion.



1  
Make your exothermic connection using thermOweld® brand welding products.



2  
Peel backing from the thermOcap PC using the attached tag.



3  
Apply the thermOcap PC to the pipe by pressing firmly on all edges to insure a proper connection.